

cemp[®]

Flameproof
Motors



MOTOR SIZE 355 - IE3 / IE4 ATEX - IECEX

SEPTEMBER 2022 | EUROPE



RegalRexnord[™]



355 IE3 MOTORS

ATEX[®]* and IECEx[®]* compliant

**SERIES AB-AC-AM-E3AN-E3AD-E3AQ,
CAST IRON**

ACCORDING TO STANDARDS:

- IEC[®]* 60079-0, 1, 7, 31
- IEC 60034-1, 5, 6, 7, 8, 9, 12, 14
- IEC 60072
- Ex db, Ex db eb, Ex ec, Ex tb, Ex tc
- ATEX category 2G, 2D, 2GD, 3G, 3D, 3GD
- IECEx certificated
- Group IIB, IIC, IIIB, IIIC, I
- Temperature Class T3, T4, T150°C, T135°C
- Protection IP55, IP56, IP65, IP66
- Frame size 355 (IEC)
- Power from 160 to 375 kW
- Three phase 1 or 2 speed
- 400V, 50 Hz
- Pole 2, 4, 6, 8
- IC410, IC411, IC416 and IC418 available

TECHNICAL FEATURES

- Three-phase squirrel cage asynchronous motors
- Totally enclosed, fan cooled, frame IP55 with terminal box IP65
- PTC thermistors
- Anti-condensation heater.
- Terminal box designed to be rotated by 90° in 4 different positions
- High corrosion protection:
 - internal anti-rust coating and external epoxy paint coating (minimum thickness 120 µm)
 - stainless steel nameplate
 - anticorrosion plated fasteners
- High impact protection:
 - frame, terminal box and cast iron endshields
 - fan cover in sheet steel
- Standard motors equipped with radial deep groove open ball bearings
- Low friction dust seals
- Bearings with greasing nipples
- Roller bearings for heavy loads



MAIN OPTIONS

Mechanical variants

- Motors protection IP55, IP56, IP65, IP66
- Low ambient temperature design up to -55°C
- Special flanges and shafts
- Double ended shafts
- Locked bearings, roller bearings or special bearings
- Terminal box on side
- SPM probe (vibrations measurement)
- Cable glands fitted on terminal box
- Drain Valves
- Grade A or B balancing
- Rain cap or sun shield water shredding disk
- Auxiliary terminal box

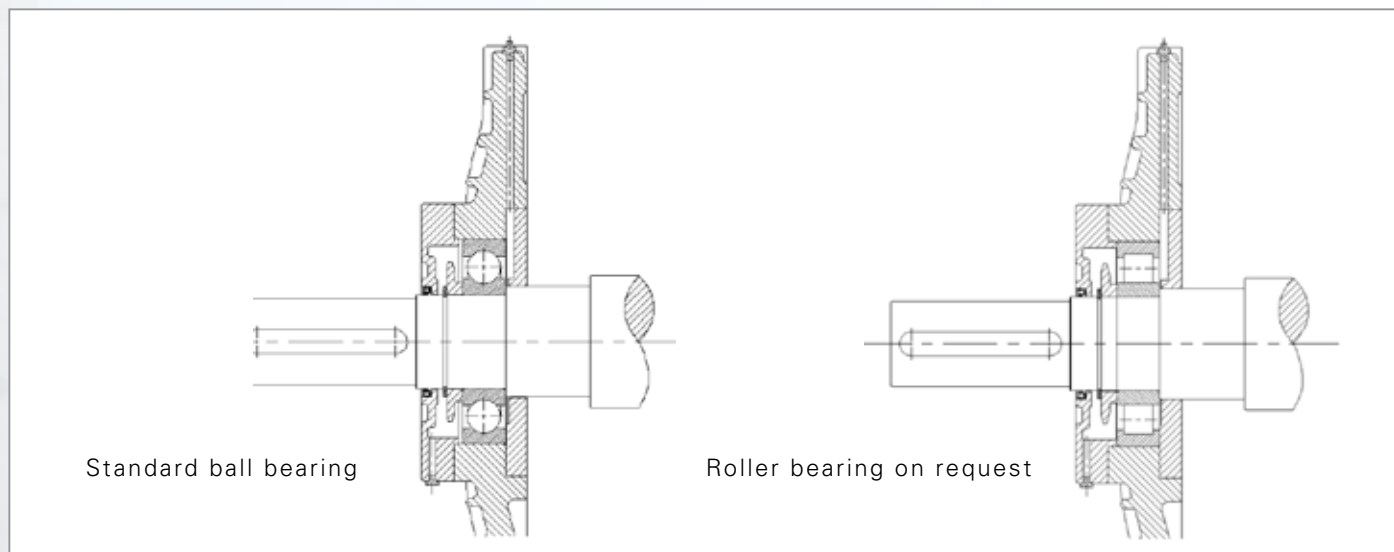
Electrical

- Special voltage and frequency
- Low inrush current
- Heaters
- Bimetallic thermal protection (NC, NO), thermistors (PTC), platinum resistor (PT100)
- Three phase 2 speeds
- Tropicalized
- Class H insulation
- VPI - Vacuum Pressure Impregnation

Accessories

- Suitable for frequency converter drives
- Forced ventilation (IC416)
- Encoders (100 – 10000 ppr)
- Bearing sensors

BEARINGS

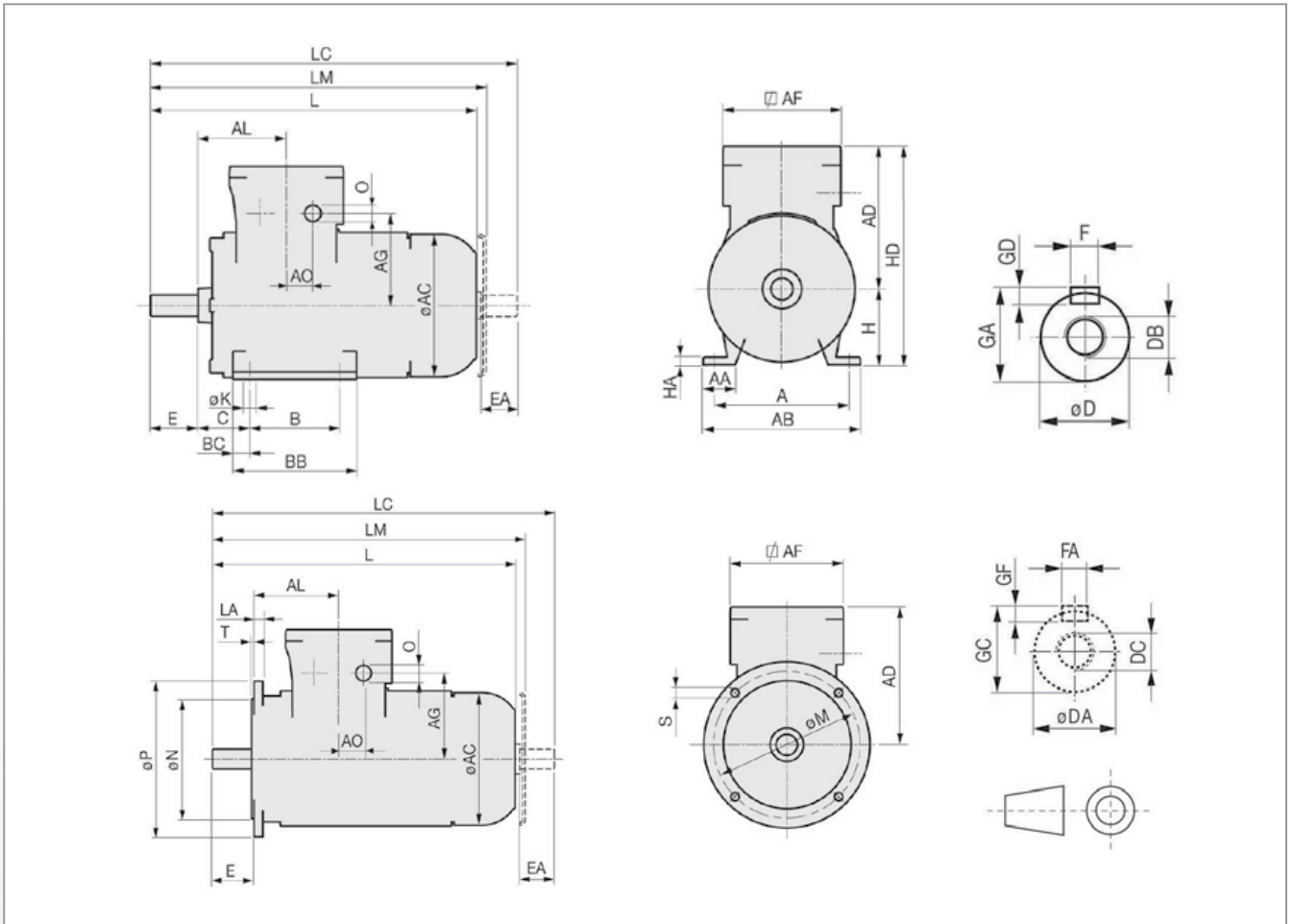


Frame size	Pole	Drive end	Non-drive end	Lubrication Time [h]	Grease amount [g]
355	2	6317 C3	6316 C3	3400	40
	4	6322 C3	6316 C3	6900	60
	6, 8	6322 C3	6316 C3	11200	60

RATED DATA FOR 1 SPEED MOTORS (3000, 1500, 1000 1/MIN)

Type	Pole	Rated output	Speed	Current	Efficiency	Power factor	Torque	Starting Current	Starting Torque	Maximum Torque	Moment of inertia	Mass
		Pn [kW]	n [1/min]	In [A]	η [%]	cos ϕ	Mn [Nm]	Ia/In	Ma/Mn	Mm/Mn	J [kgm ²]	m [kg]
355 M	2	250	2983	420	95,8	0,90	800	6,8	1,7	2,8	3,8130	1980
355 ML		315	2983	526	95,8	0,90	1014	6,9	1,8	2,8	4,5200	2230
355 LC		355	2986	595	95,8	0,90	1133	7,9	2,2	3,2	5,5809	2440
355 LD		375	2986	626	95,8	0,90	1200	7,8	2,2	3,1	5,5809	2440
355 M	4	250	1491	424	96,0	0,89	1600	7,1	1,9	2,5	9,3060	2120
355 LB		315	1491	529	96,0	0,90	2030	7,1	1,9	2,4	10,8070	2410
355 LC		355	1491	598	96,0	0,89	2268	7,2	2,0	2,3	11,9000	2490
355 LD		375	1491	630	96,0	0,90	2403	6,8	1,9	2,2	11,9000	2490
355 MA	6	160	992	287	95,8	0,84	1543	6,6	2,0	2,7	9,5950	2015
355 MB		200	992	359	95,8	0,84	1938	6,8	2,1	2,7	11,2140	2155
355 LB		250	992	446	95,8	0,84	2404	6,9	2,2	2,7	13,2630	2440
355 LC		280	992	500	95,8	0,84	2695	6,8	2,1	2,7	14,6350	2570
355 LD		315	992	562	95,8	0,84	3032	6,8	2,1	2,7	16,0071	2690

DIMENSIONAL DATA



Type	A	AA	AB	øAC	AD	AF	AL	B [†]	BC	BB	C	H	$0_{-0.5}$	HA	HD	øK	L	LC
355M 2	610	150	760	735	693	410	429	560	80	739	254	355	50	1048	28	1544	1704	
355M 4-6-8	610	150	760	735	693	410	429	560	80	739	254	355	50	1048	28	1624	1844	
355L 2	610	150	760	735	693	410	429	630	80	889	254	355	50	1048	28	1704	1854	
355L 4-6-8	610	150	760	735	693	410	429	630	80	889	254	355	50	1048	28	1774	1994	

Type	LM	AO	IEC60423 n. x 0	AG	øD øDA	E EA	F FA	GA GC	GD GF	DB DC	LA	øM	øN	øP	S	T
355M 2	1654	65	2 x M75	538	70	140	20	74.5	12	M20	25	740	680	800	24	6
355M 4-6-8	1724	65	2 x M75	538	100	210	28	106	16	M24	25	740	680	800	24	6
355L 2	1804	65	2 x M75	538	70	140	20	74.5	12	M20	25	740	680	800	24	6
355L 4-6-8	1874	65	2 x M75	538	100	210	28	106	16	M24	25	740	680	800	24	6

Every care has been taken to ensure the accuracy of the information contained in this publication. Due to Regal's policy of continuous development and improvement, the company reserves the right to supply products which may differ slightly from those illustrated and described in this publication.

CERTIFICATIONS



The following trademarks are not owned by or under the control of Regal Rexnord Corporation: ATEX is a trademark of the European Union; ABS is a trademark of ABS Group of Companies, Inc.; Bureau Veritas is a trademark of Bureau Veritas Services SAS; CCC is a trademark of Certification and Accreditation Administration of the People's Republic of China; CCS is a trademark of China Classification Society; CCoE a trademark of Petroleum and Explosive Safety Organization of India; CESI is a trademark of CESI S.p.A.; CISQ is a trademark of Object Management Group, Inc.; Class NK is a trademark of NIPPON KAIJI KYOKAI (ClassNK); CML is a trademark of Certification Management Limited; CSA is a trademark of CSA Group; CSQ is a trademark of Istituto Italiano del Marchio di Qualita per il Controllo di Rispondenza a Norme Tecniche Prodotti e Sistemi (IMQ); EAC is a trademark of Eurasian Economic Union; Ex Agencija is a trademark of Agencija za prostore ugrozene eksplozivnom atmosferom; IECE and IECEX are trademarks of International Electrotechnical Commission; INMETRO is a trademark of National Institute of Metrology Quality and Technology; IQ Net is a trademark of IQNET Association –The International Certification Network; KCS is a trademark of Korea Occupational Safety and Health Agency (KOSHA); Lloyd's Register is a trademark of Lloyd's Register Group Limited; TÜV NORD is a trademark of TÜV Nord Group; UL is a trademark of UL LLC.



Industrial Solutions Regal Rexnord

ITALY

Cemp s.r.l.
Via Piemonte 16 Senago
Milano Italy
T: +39 0294435401
cemp@regalrexnord.com

GERMANY

Cemp International GmbH
Dr. Atzinger- Strasse 5
Passau Germany
T: +49 (0) 8519662320
cemp-germany@regalrexnord.com

FRANCE

Cemp
Richard Chalhoub
M: +39 348 4353825
Richard.Chalhoub@regalrexnord.com

The proper selection and application of products and components, including assuring that the product is safe for its intended use, are the responsibility of the customer. To view our Application Considerations, please visit <https://www.regalrexnord.com/Application-Considerations>

To view our Standard Terms and Conditions of Sale, please visit <https://www.regalrexnord.com/Terms-and-Conditions-of-Sale> (which may redirect to other website locations based on product family).

The following trademarks are not owned by or under the control of Regal Rexnord Corporation: ATEX is a trademark of the European Union; ABS is a trademark of ABS Group of Companies, Inc.; Bureau Veritas is a trademark of Bureau Veritas Services SAS; CCC is a trademark of Certification and Accreditation Administration of the People's Republic of China; CCS is a trademark of China Classification Society; CCoE a trademark of Petroleum and Explosive Safety Organization of India; CESI is a trademark of CESI S.p.A.; CISQ is a trademark of Object Management Group, Inc.; Class NK is a trademark of NIPPON KAIJI KYOKAI (ClassNK); CML is a trademark of Certification Management Limited; CSA is a trademark of CSA Group; CSQ is a trademark of Istituto Italiano del Marchio di Qualita per il Controllo di Rispondenza a Norme Tecniche Prodotti e Sistemi (IMQ); EAC is a trademark of Eurasian Economic Union; Ex Agencija is a trademark of Agencija za prostore ugrozene eksplozivnom atmosferom; IECE and IECEx are trademarks of International Electrotechnical Commission; INMETRO is a trademark of National Institute of Metrology Quality and Technology; IQ Net is a trademark of IQNET Association – The International Certification Network; KCS is a trademark of Korea Occupational Safety and Health Agency (KOSHA); Lloyd's Register is a trademark of Lloyd's Register Group Limited; TÜV NORD is a trademark of TÜV Nord Group; UL is a trademark of UL LLC.

"Regal Rexnord" is not indicative of legal entity.

Regal Rexnord and Cemp are trademarks of Regal Rexnord Corporation or one of its affiliated companies.

©2017, 2022 Regal Rexnord Corporation, All Rights Reserved.

MCB22120E • Form# 10197E

